

TECHNICAL SPECIFICATIONS

Acoustical specifications	Frequency Response:	40 Hz ÷ 20000 Hz
	Max SPL @ 1m:	130 dB
	Horizontal coverage angle:	90°
	Vertical coverage angle:	30°
Transducers	Fullrange:	8 x 4.0", 1.0" v.c
	Woofers:	15", 3.0" v.c
Input/Output section	Input signal:	bal/unbal
	Input connectors:	XLR, Jack
	Output connectors:	XLR
	Input sensitivity:	-2 dBu/+4 dBu
Processor section	Crossover Frequencies:	180 Hz
	Protections:	Thermal, RMS
	Limiter:	Soft Limiter
	Controls:	Volume, EQ
Power section	Total Power:	1400 W Peak, 700 W RMS
	High frequencies:	400 W Peak, 200 W RMS
	Low frequencies:	1000 W Peak, 500 W RMS
	Cooling:	Convection
	Connections:	VDE
Standard compliance	CE marking:	Yes
Physical specifications	Cabinet/Case Material:	Baltic birch plywood
	Color:	Black
Size	Height:	2200 mm / 86.61 inches
	Width:	410 mm / 16.14 inches
	Depth:	560 mm / 22.05 inches
	Weight:	36.4 kg / 80.25 lbs
Shipping informations	Package Weight:	43.89 kg / 96.76 lbs

PART NUMBER

- **13000482**

EVOX 12

115V

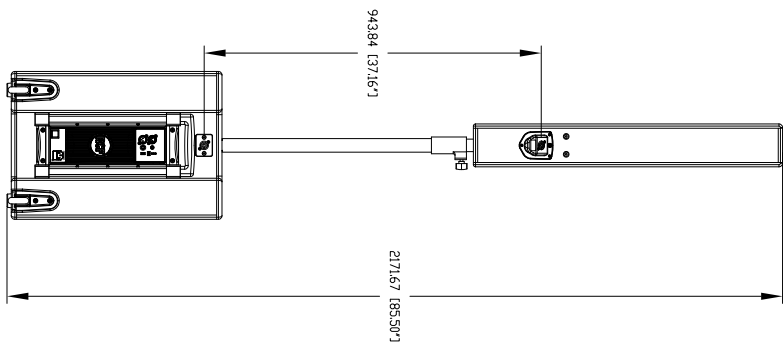
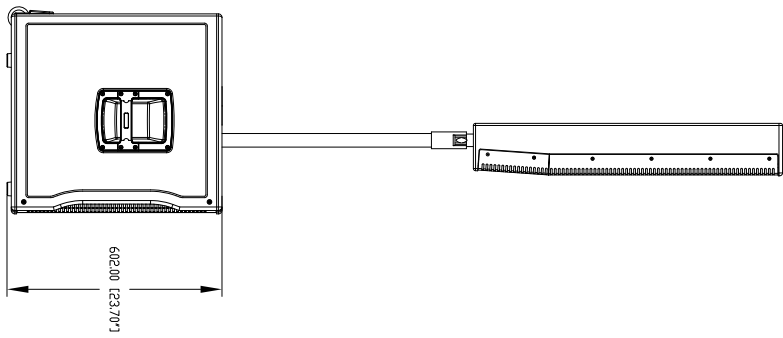
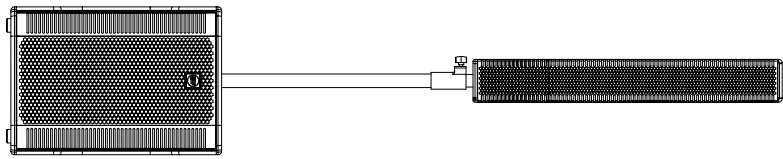
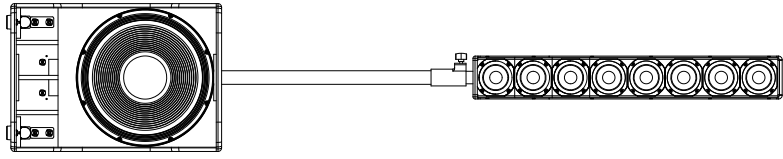
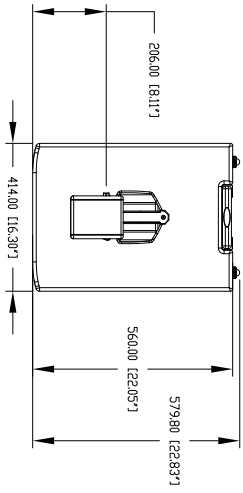
EAN 8024530013370

- **13000481**

EVOX 12

220-240V

EAN 8024530013196



EVDX 12