

HDL 20-A

ACTIVE LINE ARRAY MODULE

DESCRIPTION

The careful acoustic design, no compromise transducers and a unique, composite cabinet, design make the HDL 20-A the preferred tool of many professionals. Perfect in live sound reinforcement and reliable installed situations.

The HDL 20-A is the ideal choice when line array performance is needed and a fast and easy set up is a must. The system is powered from a 1400 Watt Peak Power 2 way digital amplifier, sound is processed from a powerful DSP. The processing includes cluster and HF projection correction and special new presets for indoor and high curving situations. The system features state of the art RCF transducers, two powerful 10" for a solid bass reproduction and a large format 3" voice coil compression driver to deliver vocal clarity and high definition with an incredible dynamic. The HDL 18-AS is the ideal flyable bass complement for the HDL 20-A array system.



FEATURES

- 1400 Watt Peak power - 700 Watt RMS
- 135 dB max SPL
- 55 Hz 20 kHz frequency response
- 2 x 10" Woofers
- 1 x 3" Compression Driver
- DSP controlled Input section with selectable presets
- Tour grade safe and solid variable mechanics
- Composite PP enclosure structurally wooden reinforced

TECHNICAL SPECIFICATIONS

Acoustical specifications	Frequency Response:	55 Hz ÷ 20000 Hz
	Max SPL @ 1m:	135 dB
	Horizontal coverage angle:	100°
	Vertical coverage angle:	15°
Transducers	Compression Driver:	1 x 2.0", 3.0" v.c
	Woofers:	2 x 10", 2.5" v.c
Input/Output section	Input signal:	bal/unbal
	Input connectors:	XLR
	Output connectors:	XLR
	Input sensitivity:	-2 dBu/+4 dBu
Processor section	Crossover Frequencies:	800 Hz
	Protections:	Thermal, RMS
	Limiter:	Soft Limiter
	Controls:	Cluster, HF, High curving, Indoor
Power section	Total Power:	1400 W Peak, 700 W RMS
	High frequencies:	400 W Peak, 200 W RMS
	Low frequencies:	1000 W Peak, 500 W RMS
	Cooling:	Convection
	Connections:	Powercon IN/OUT
Standard compliance	CE marking:	Yes
Physical specifications	Cabinet/Case Material:	PP Composite
	Hardware:	Rigging flyware
	Handles:	2 side, 2 back
	Grille:	Steel
	Color:	Black
Size	Height:	294 mm / 11.57 inches
	Width:	705 mm / 27.76 inches
	Depth:	445 mm / 17.52 inches
	Weight:	30.2 kg / 66.58 lbs
Shipping informations	Package Height:	375 mm / 14.76 inches
	Package Width:	800 mm / 31.5 inches
	Package Depth:	500 mm / 19.69 inches
	Package Weight:	33.2 kg / 73.19 lbs



PART NUMBER

• **13040008**

HDL 20-A

115V

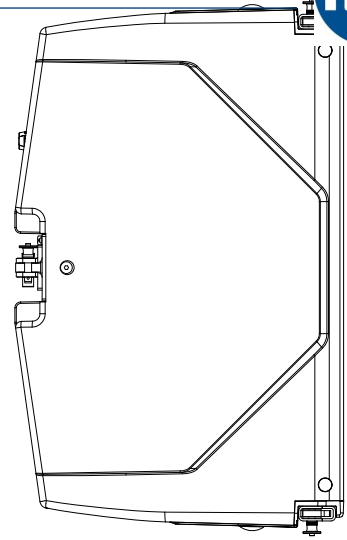
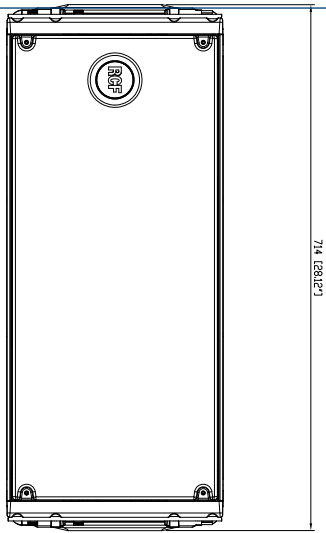
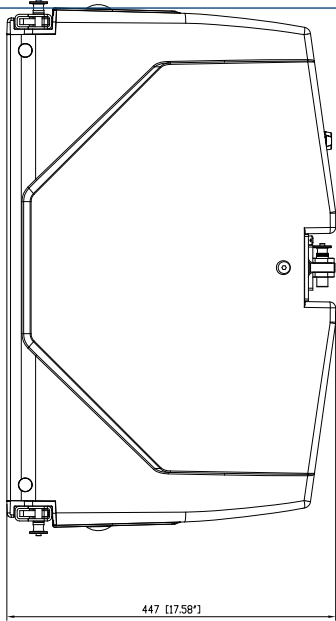
EAN 8024530009977

• **13040007**

HDL 20-A

220-240V

EAN 8024530009960



HDL20-A

