

LA-RAK II AVB TOURING RACK



LA-RAK II AVB is a flyable touring rack offering twelve channels of amplification in a 9 U frame. Three LA12X amplified controllers, two LS10 AVB switches and power and signal distribution panels are internally prewired to offer a plug-and-play, reliable solution that allows for seamless networked audio redundancy based on the Milan protocol.

The rugged LA-RAK II AVB features a shock-absorbing inner frame, protective and handling elements to ease transport and manipulation. With power connectors for any voltage standard, LA-RAK II AVB can be used worldwide to facilitate tour logistics and cross-rental between L-Acoustics rental network agents.

SPECIFICATIONS

LA-RAK II AVB

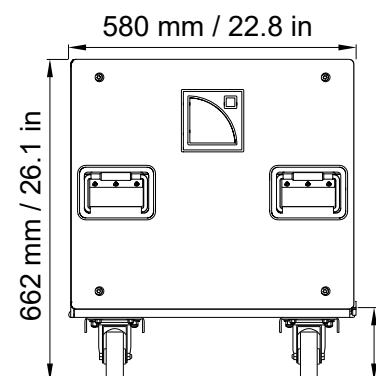
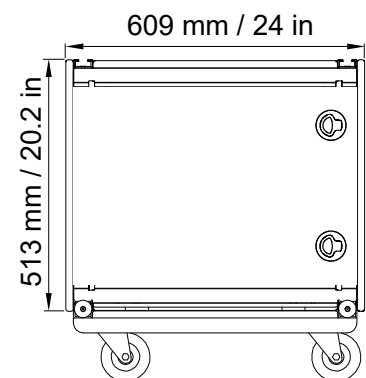
Content	3 x LA12X amplified controller 2 x LS10 AVB switch 1 x LA-PANEL II 1 x LA-POWER II 2 x doors, cables and 2 x coupling bars
Weight (net)	101.5 kg / 223.8 lb (with all the above)
Material	Polyethylene, aluminium and steel external structure, LEXAN® polycarbonate doors
Rigging and handling	2 x coupling bars, dolly board

LA-PANEL II

Front	
Analog input/link	2 x 19-point CA-COM
AES/EBU input/link	3 x female Neutrik® XLR3 (IN) / 3 x male Neutrik® XLR3 (LINK)
Network	2 x etherCON® (L-NET IN/OUT) - Unused
Rear	
Analog input	6 x male Neutrik® XLR3 (IN 1 to IN 6)
AES/EBU input/link	3 x female Neutrik® XLR3 (IN) / 3 x male Neutrik® XLR3 (LINK)
Network	2 x RJ45 (L-NET) - Unused

LA-POWER II

Front	
AC input (US)	30 A - NEMA L21-30P (3P+N+E) male outlet
AC input/link out (EU)	32 A - IEC 60309 (3P+N+E) male outlet 32 A - IEC 60309 (3P+N+E) female outlet DANGER: Do not use with a 120 - 208 V power supply.
AC presence	3 x dual LEDs: Left: US AC input / right: EU AC input
AC auxiliary output (US)	NEMA 5-15 female outlet (AUX US MODE)
AC auxiliary output (EU)	Type F «Schuko» female outlet (AUX EU MODE)
Protection	10 A type C circuit breaker (AUX L3)
Rear	
AC output for LA12X	3 x power cords fitted with 32 A Neutrik powerCON® connectors (AMP 1 L1, AMP 2 L2, AMP 3 L3)
AC input selector switch	Switch between EU MODE and US MODE Important: Do not switch mode when connected to power supply.
AC output for LS10	2 x IEC 60320-1 type C13 female outlets (AUX L3)



146 mm / 5.7 in